

Procedure guide-line for transferring Waysmos fire extinguishing agent

Supply packing type A

Horizontal Chinese standard GB cylinder equipped with double rubber rings, fitted with two identical valves PZ27.8.

Clean agent type

HFC227ea

Start condition

- Full clean agent supply cylinder on your transferring spot.
- Receiving cylinder should be cleaned to eliminate contamination by air and suitable transfer of clean agent.

Safety requirements

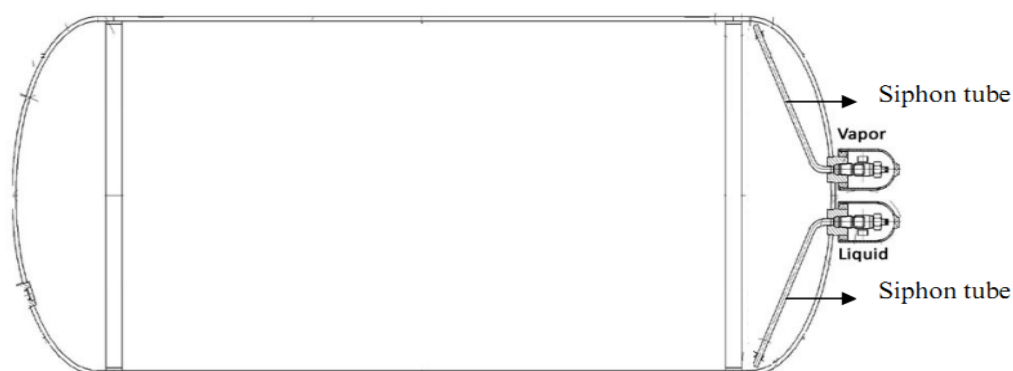
See MSDS (material safety data sheet).

Facilities required

- Weight-bridge (or other indication on amounts).
- Double skin flexible hose with outside wire –twisted reinforcement.
- Pump (centrifugal or vane pump).

Procedure steps

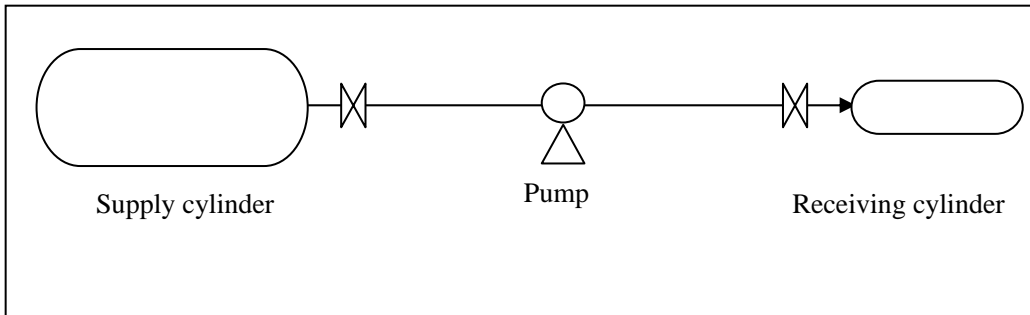
- Check gross-weight of clean agent cylinder.
- Check two identical valves with PZ27.8 in good condition.
- Place supply cylinder of clean agent gas on flat floor in a position with the face formed by the two valves perpendicular to the floor. The upper valve will be the gas phase valve and lower one liquid phase.



- Prevent the supply cylinder from rolling by blocking to the sides with bricks or woods or other proper materials.
- Connect the gas phase valve of the supply cylinder to the gas phase valve of the receiving cylinder with a double skin flexible hose, likewise, the liquid phase valve to the liquid phase valve with pipes connected to a pump suitable for liquefied gas.
- Open all the valves and allow the pump transfer the liquefied gas into the receiving

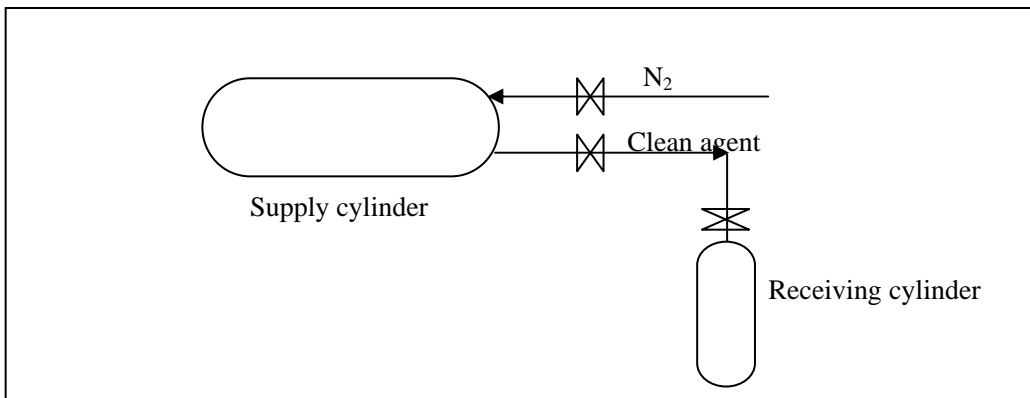
cylinder.

- When expected quantity gas transferred into the receiving cylinder, close liquid phase valves immediately at first and then the gas phase valves.
- Turn off the pump and disconnect the hose.

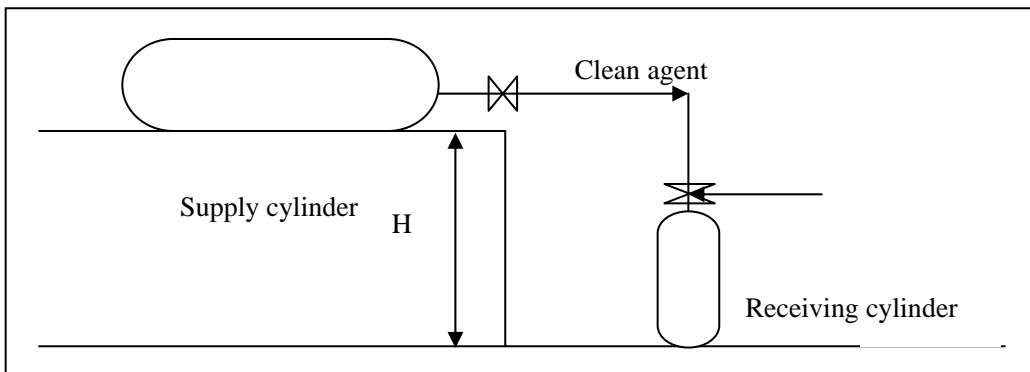


The above is recommended. But also you can consider methods as follow.

- Use nitrogen to press clean agent into the receiving cylinder. Please pay attention that for expediently transferring you need moderately heat up the supply cylinder by steam or chill the receiving cylinder by ice.



- Put the supply cylinder on the higher site and let the receiving cylinder vacuum, then connect two cylinders. The gravity will let clean agent into the receiving cylinder.



Supply packing type B

Upright returnable DOT cylinder equipped with forklift lifting attachment incorporated into the foot ring, fitted with liquid valve and gas valve designed for a CGA 660 connection.



Clean agent type

HFC227ea

Start condition

- Full clean agent supply cylinder on your transferring spot.
- Receiving cylinder should be cleaned to eliminate contamination by air and suitable transfer of clean agent.

Safety requirements

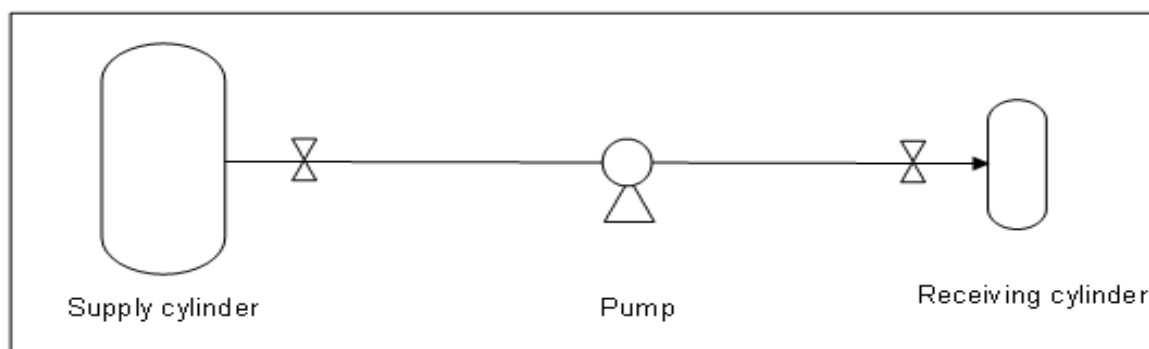
See MSDS (material safety data sheet).

Facilities required

- Weight-bridge (or other indication on amounts).
- Double skin flexible hose with outside wire –twisted reinforcement.
- Pump (centrifugal or vane pump).

Procedure steps

- Check gross-weight of clean agent supply cylinder.
- Check liquid and gas valve in good condition.
- Connect the gas phase valve of the supply cylinder to the gas phase valve of the receiving cylinder with a double skin flexible hose, likewise, the liquid phase valve to the liquid phase valve with pipes connected to a pump suitable for liquefied gas.
- Open all the valves and allow the pump transfer the liquefied gas into the receiving cylinder.
- When expected quantity gas transferred into the receiving cylinder, close liquid phase valves immediately at first and then the gas phase valves.
- Turn off the pump and disconnect the hose.



Supply packing type C

ISO tank with acme 1-3/4" valves for vapor transferring and acme 3-1/4" valve for liquid transferring.

Clean agent type

HFC227ea

Start condition

- Full clean agent ISO tank on your transferring spot.
- Receiving tank should be cleaned to eliminate contamination by air and suitable transfer of clean agent.

Safety requirements

See MSDS (material safety data sheet).

Facilities required

- Weight-bridge (or other indication on amounts).
- Double skin flexible hose with outside wire –twisted reinforcement.
- Pump (diaphragm pump).

Procedure steps

- Check gross-weight of clean agent ISO tank.
- Check liquid and gas valve in good condition.
- Connect the liquid phase valve of ISO tank to the vapor phase valve of receiving tank with pipes connected to a pump suitable for both liquid and vapor phase clean agent. Connect the gas phase valve of the supply ISO tank to the vapor phase valve of the receiving tank with a double skin flexible hose,
- Open all the valves and allow the pump transfer the liquefied gas into the receiving tank.
- When expected quantity gas transferred into the receiving tank, close all valves.
- Turn off the pump and disconnect the hose.

